

TPC-660G

AMD LX800 Touch Panel Computer with 6.4" VGA TFT LCD Display

NEW



Features

- AMD LX800 processor on board
- 6.4" TFT LCD
- Super slim and compact design with plastic housing
- Fanless cooling system
- NEMA4/IP65 compliant front panel
- One CompactFlash® slot
- Automatic data flow control RS-485
- Supports Windows® XP/CE and WinXPe

Introduction

The TPC-660G models are compact platforms without redundant functions, which have been designed for small-sized operator interface applications. The integration of a fanless kernel, touchscreen and non-volatile storage makes this machine a reliable solution for industrial environments. The 16-bit PC/104 expansion slot provides a dependable and convenient way to add-on functions. Common PC/104 cards for a variety of applications can fit in the TPC-660G.

Specifications

General

- **Certifications** BSMI, CCC, CE, FCC, UL
- **Cooling System** Fanless design
- **Dimensions (W x H x D)** 195 x 148 x 45 mm (7.68" x 5.83" x 1.77")
- **Enclosure** ABS and ABS + PC
- **Mounting** Panel
- **OS Support** Windows XP/CE and WinXPe
- **Power Consumption** 43.52 W
- **Power Input** 18 ~ 32 V_{DC}
- **Watchdog Timer** Programmable as 250 ms, 500 ms, 1 second
- **Weight (Net)** 0.8 kg (1.76 lb)

System Hardware

- **Audio Ports** 1 x Line-out, 1 x Microphone
- **CPU** AMD LX800 500 MHZ
- **Expansion Slots** 1 x CompactFlash slot
- **Graphics Controller** Controlled by CPU
- **LAN** 1 x 10/100Base-T
- **Memory** 256 MB DDR SDRAM (up to 1 GB DDR SDRAM)
- **Serial Ports** 1 x full RS-232
1 x RS-232/RS422/RS485
- **Storage** 1 x CompactFlash card (optional)
- **USB Ports** 2 x USB 2.0

LCD Display

- **Backlight Life** 20,000 hrs
- **Contrast Ratio** 180
- **Display Size** 6.4"
- **Display Type** TFT LCD
- **Luminance (cd/m²)** 150
- **Max. Colors** 256 K
- **Max. Resolution** 640 x 480
- **Pixel Pitch (HxV)** 0.203 x 0.203 mm
- **Viewing Angle** 90°

Touchscreen

- **Type** 4-wire, analog resistive
- **Resolution** 1024 x 1024
- **Light Transmission** Above 75%
- **Lifespan** 10 millions times with a silicone rubber of 8 mm diameter finger

Environment

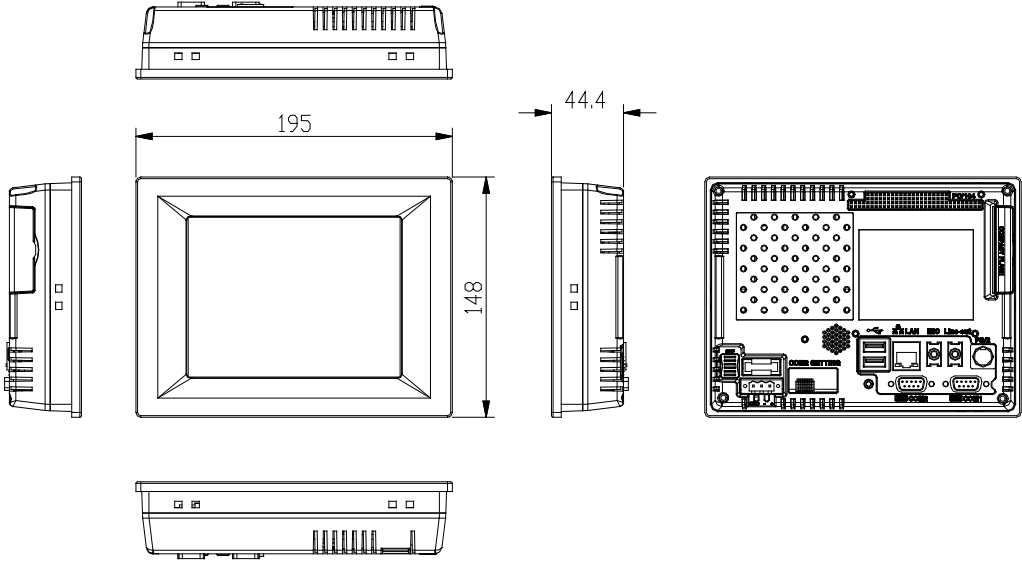
- **Humidity** 10 ~ 95% RH @ 40° C, non-condensing
- **Ingress Protection** Front panel: NEMA4, IP65
- **Operating Temperature** 0 ~ 50° C (32 ~ 122° F)
- **Storing Temperature** -20 ~ 70° C (-4 ~ 158° F)
- **Vibration Protection** 1 Grms (Random, Operating)

Ordering Information

- **TPC-660G-A1E** 6.4" TFT LCD Display Touch Panel Computer with AMD LX800 500 MHz and 256 MB DDR SDRAM

Dimensions

Unit: mm



Rear View

TPC-660G

